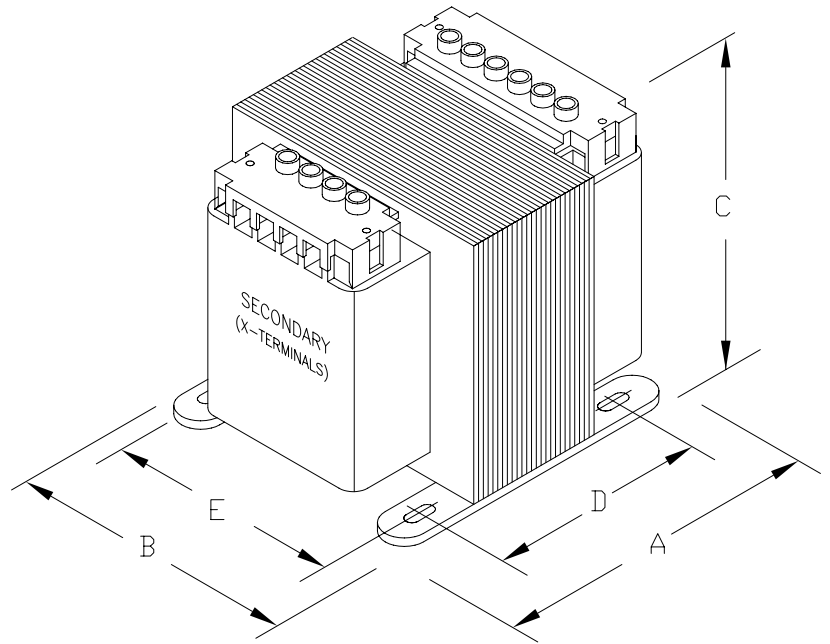


CONNECTION DIAGRAM



PROVIDED WITH SAFE TOUCH TERMINAL COVERS
NO INTEGRAL FUSING CAPABILITY.

DIMENSIONS							APPROX. WT. LBS (KG)
	A	B	C	D	E	MTG. SLOTS	
INCHES (MM)	6.63 (168)	5.25 (133)	4.50 (114)	5.88 (149)	4.38 (111)	0.313X1.063 (8.0X27.0)	



CAT. NO. B500-2266-GAF		CONST. ENCAPSULATED		LISTED CERTIFIED IEC 61558	
		MODEL GLOBALTRAN			
RATING					
OUTPUT AMPS	20.8/4.3/2.2	PRIMARY V	208/230/400/460/575	TEMP. CLASS	HZ 50/60
VA	500	SECONDARY V	24/115/230	130°C	REVISION G